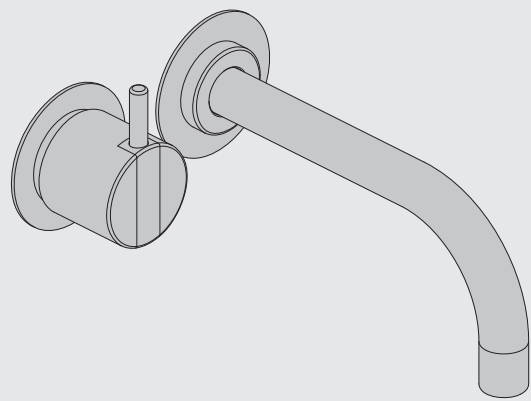


VOLA 100, 100X, 200M, 200, 200V, 300, 400DV, 400, 400V  
 VOLA 400N, 400NV, 400T, 400TV, 400F, 400FV, 400R, 400RV  
 VOLA 2100, 2100X, 2200, 2200V, 2300, 2400, 2400V  
 VOLA 2400N, 2400NV, 2400T, 2400TV, 2400F, 2400FV, 2400R, 2400RV

Fitting instruction  
 Montageanleitung  
 Monteringsvejledning

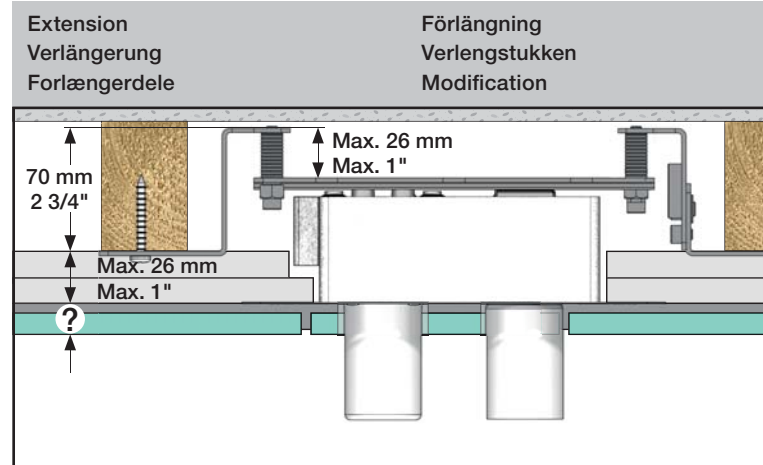
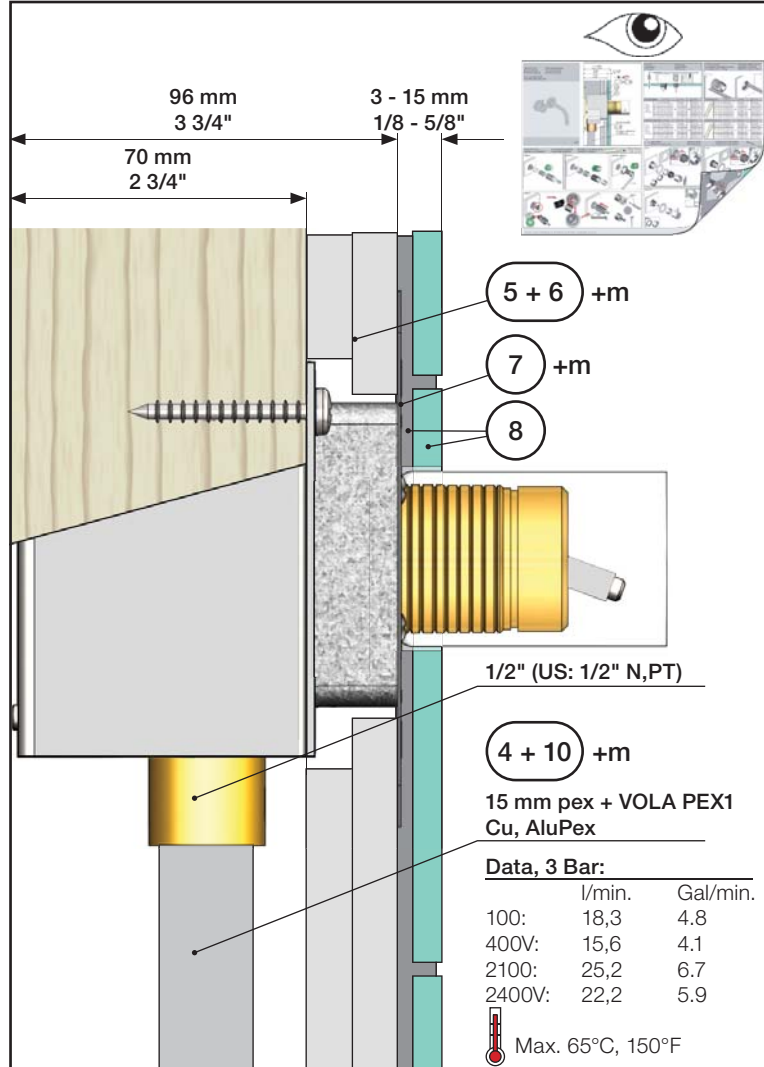
Monteringsvægledning  
 Montage hanleiding  
 Manuel de montage



VA 1.42/16354, VA 1.42/16531, VA 1.42/16532,  
 VA 1.42/16533, VA 1.42/16535, VA 1.42/16536

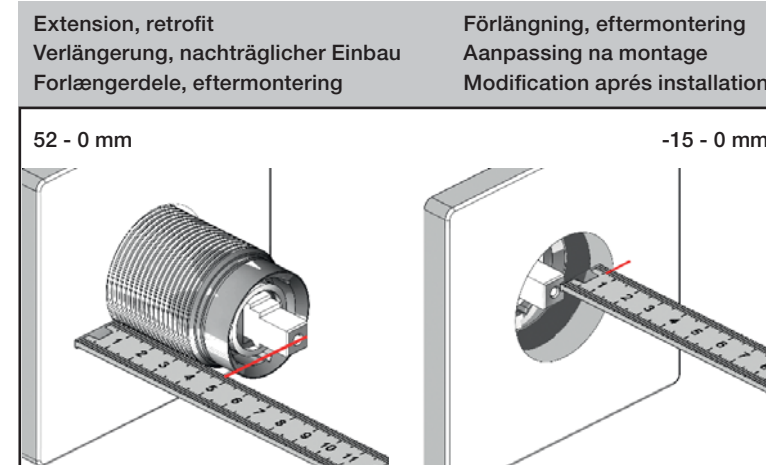
www.vola.com

vola



100/200/300/400	VR1254:	VR1400:	VR2019:
Tiles:	3 - 15 mm Standard	Standard	Standard
Fliesen:	15 - 25 mm VR1254+10	VR1400+10	VR2019+10
Fliser:	25 - 35 mm VR1254+20	VR1400+20	VR2019+20
Tegels:	35 - 45 mm VR1254+30	VR1400+30	VR2019+30
Carreaux:	45 - 55 mm VR1254+40	VR1400+40	VR2019+40
	55 - 65 mm VR1254+50	VR1400+50	VR2019+50

2100/2200/2300/2400	VR2250:	VR1400:	VR2019:
Tiles:	3 - 15 mm Standard	Standard	Standard
Fliesen:	15 - 25 mm VR2250+10	VR1400+10	VR2019+10
Fliser:	25 - 35 mm VR2250+20	VR1400+20	VR2019+20
Tegels:	35 - 45 mm VR2250+30	VR1400+30	VR2019+30
Carreaux:	45 - 55 mm VR2250+40	VR1400+40	VR2019+40
	55 - 65 mm VR2250+50	VR1400+50	VR2019+50



100/200/300/400	VR1254:	VR1400:	VR2019:
Tiles:	40 - 52 mm Standard	Standard	Standard
Fliesen:	30 - 40 mm VR1254+10	VR1400+10	VR2019+10
Fliser:	20 - 30 mm VR1254+20	VR1400+20	VR2019+20
Tegels:	10 - 15 mm VR1254+30	VR1400+30	VR2019+30
Carreaux:	0 - 10 mm VR1254+40	VR1400+40	VR2019+40
	-10 - 0 mm VR1254+50	VR1400+50	VR2019+50

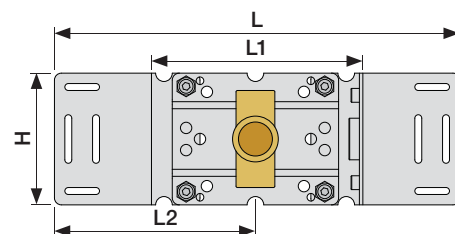
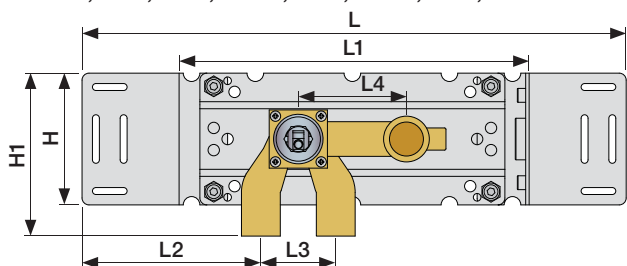
2100/2200/2300/2400	VR2250:	VR1400:	VR2019:
Tiles:	35 - 47 mm Standard	Standard	Standard
Fliesen:	25 - 35 mm VR2250+10	VR1400+10	VR2019+10
Fliser:	15 - 25 mm VR2250+20	VR1400+20	VR2019+20
Tegels:	5 - 15 mm VR2250+30	VR1400+30	VR2019+30
Carreaux:	-5 - 5 mm VR2250+40	VR1400+40	VR2019+40
	-15 - -5 mm VR2250+50	VR1400+50	VR2019+50

200: 200V + 200M  
 400: 400V + 2 x 200M  
 2400: 2400V + 2 x 200M  
 400N: 400NV + 200M  
 2400N: 2400NV + 200M  
 400T: 400TV + 200M  
 2400T: 2400TV + 200M  
 400F: 400FV + 200M  
 2400F: 2400FV + 200M  
 400R: 400RV + 200M  
 2400R: 2400RV + 200M

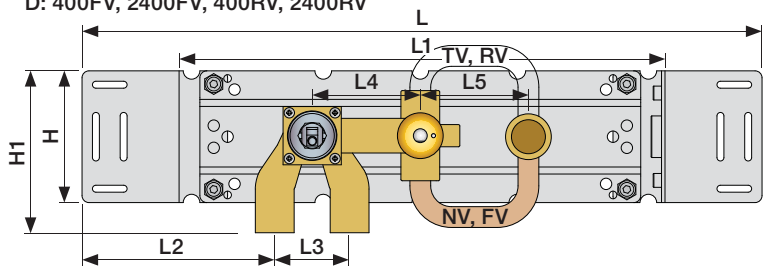
	L	L1	L2	L3	L4	L5	H	H1
A	295 mm 11 1/2"	160 mm 6 1/2"	145 mm 5 3/4"	-	-	-	-	-
B	395 mm 15 1/2"	260 mm 10"	129 mm 5"	54 mm 2 1/8"	78 mm 3 1/16"	-	95 mm 3 3/4"	120 mm 4 3/4"
B1			168 mm 6 5/8"					175 mm 6 7/8"
C	490 mm 19 1/2"	355 mm 14"	139 mm 5 1/2"			78 mm 3 1/16"		120 mm 4 3/4"
D	570 mm 23"	435 mm 17"				156 mm 6 1/8"		

B: 100, 2100, 100X, 2100X, 200V, 2200V, 400V, 2400V

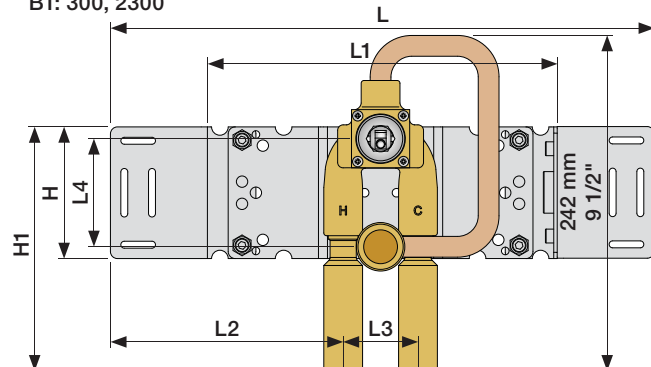
A: 200M



C: 400NV, 2400NV, 400TV, 2400TV  
 D: 400FV, 2400FV, 400RV, 2400RV



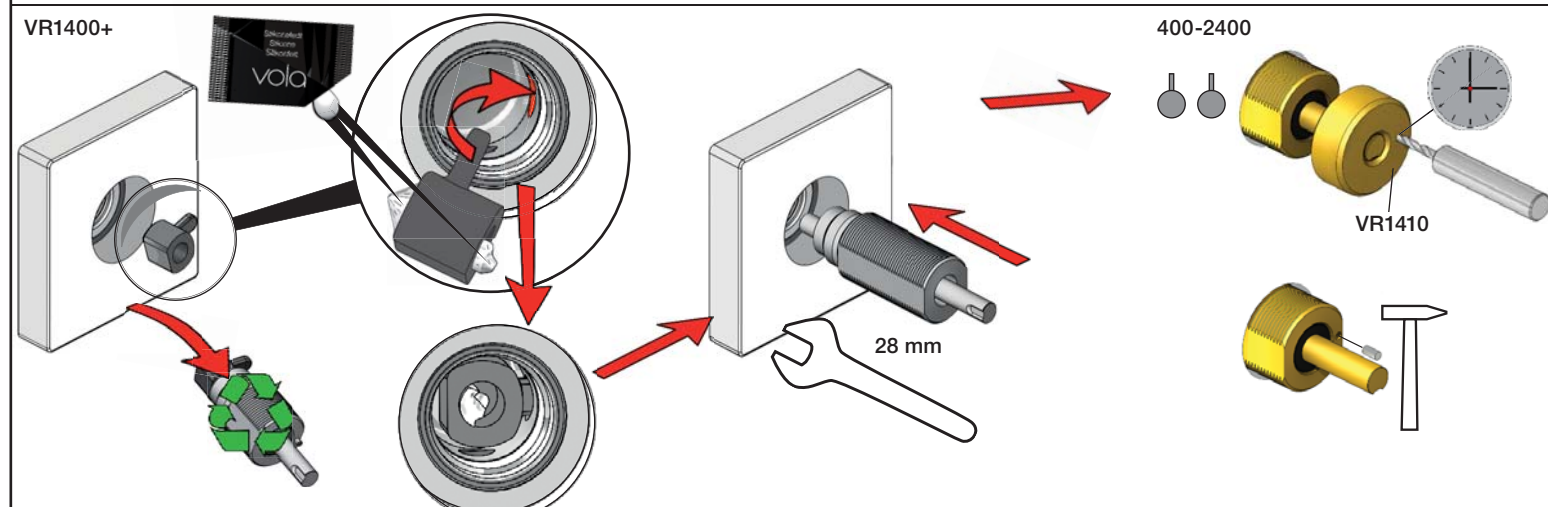
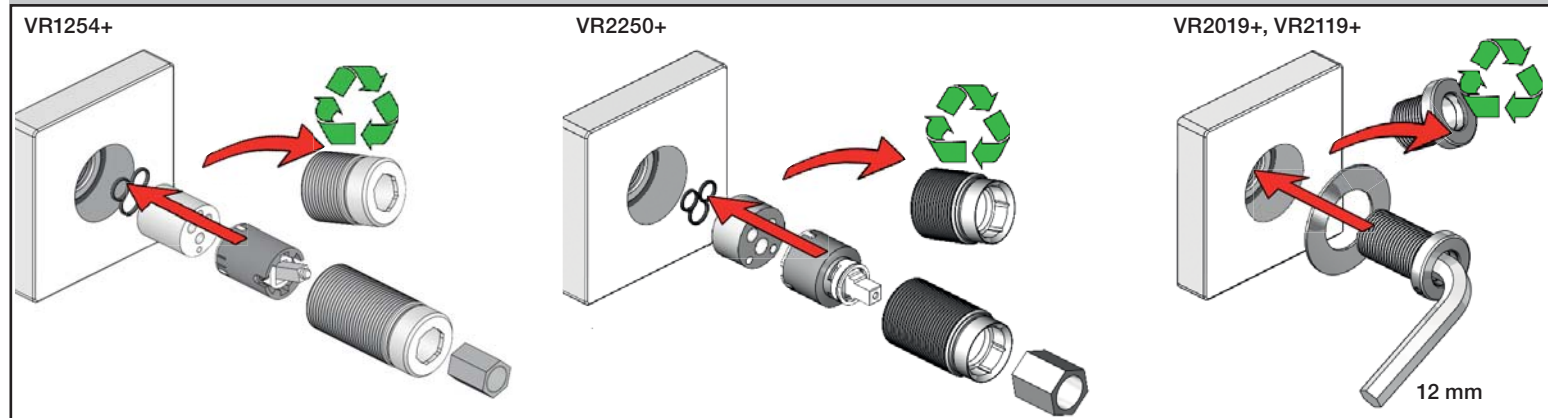
B1: 300, 2300



Fitting of extension  
 Montage von verlängerung

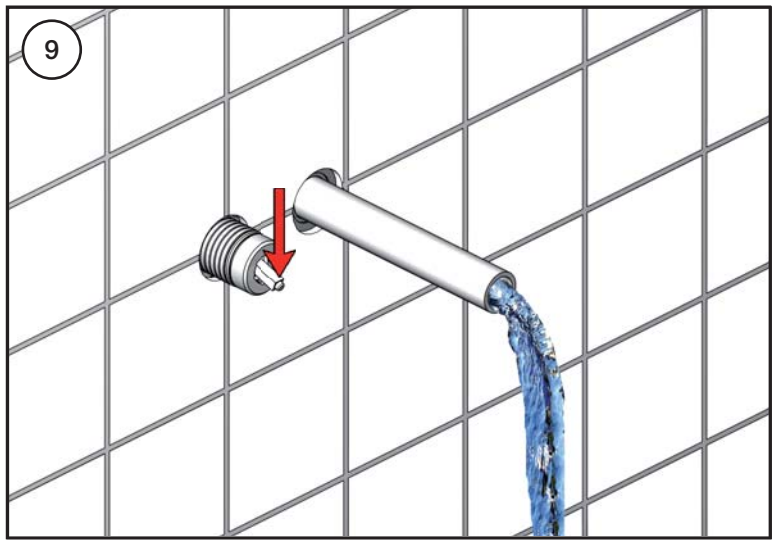
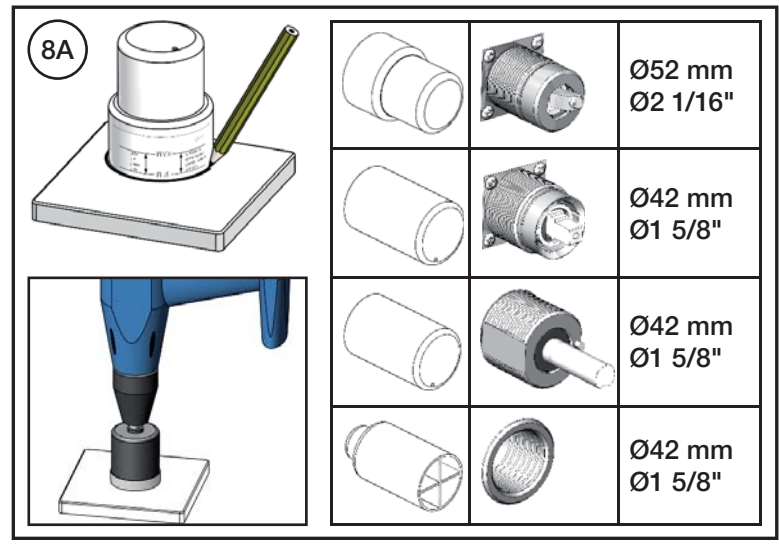
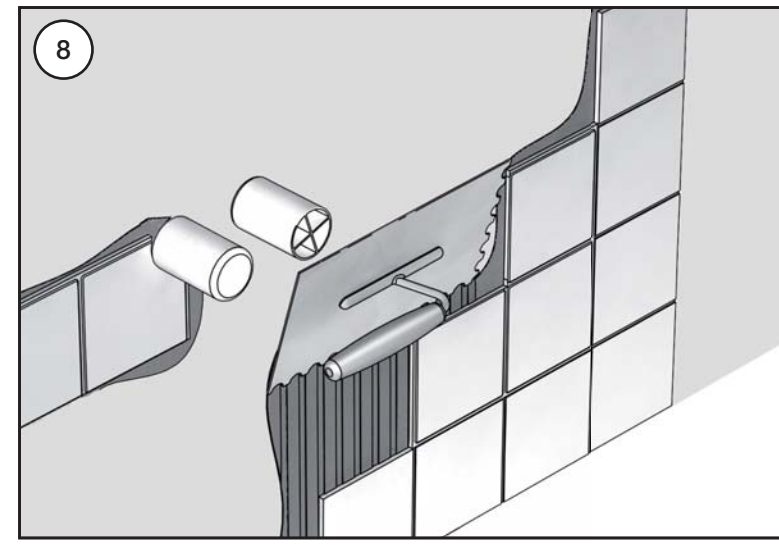
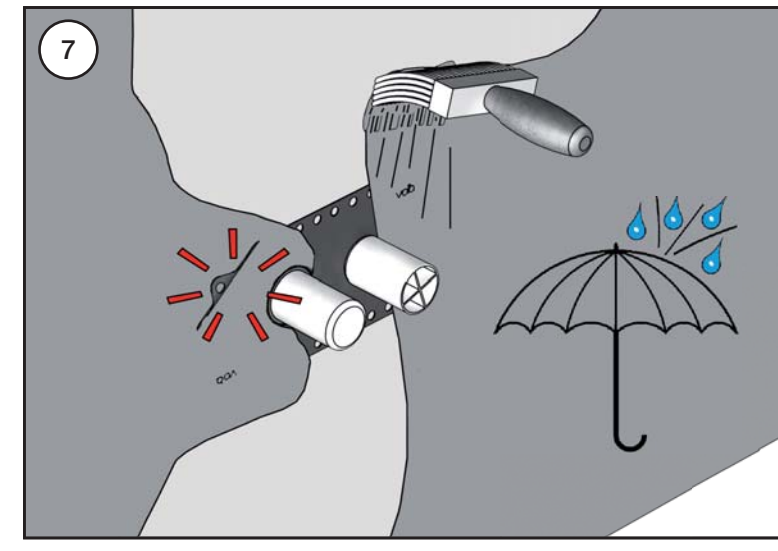
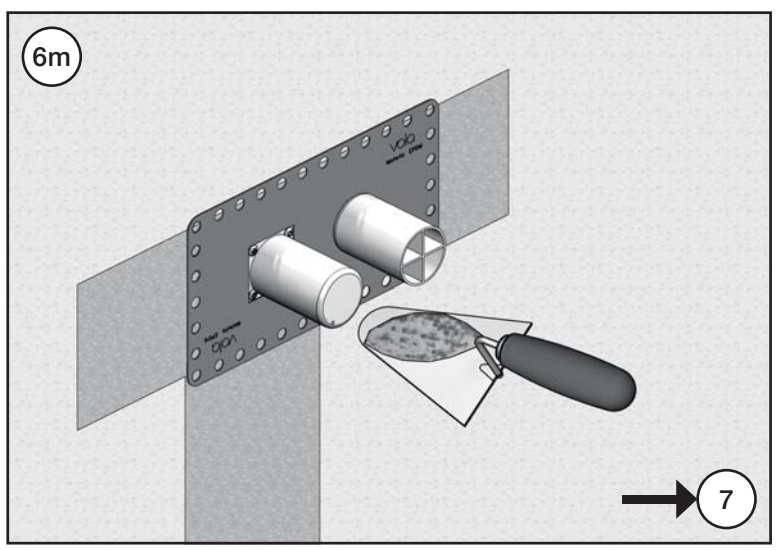
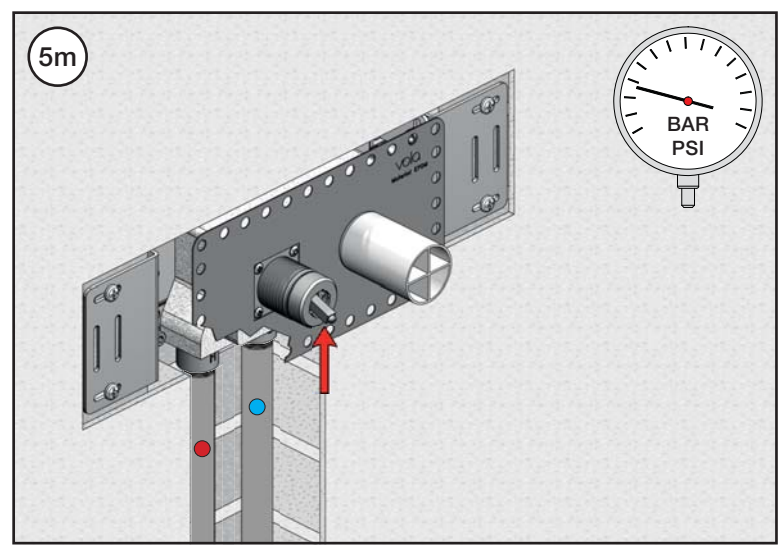
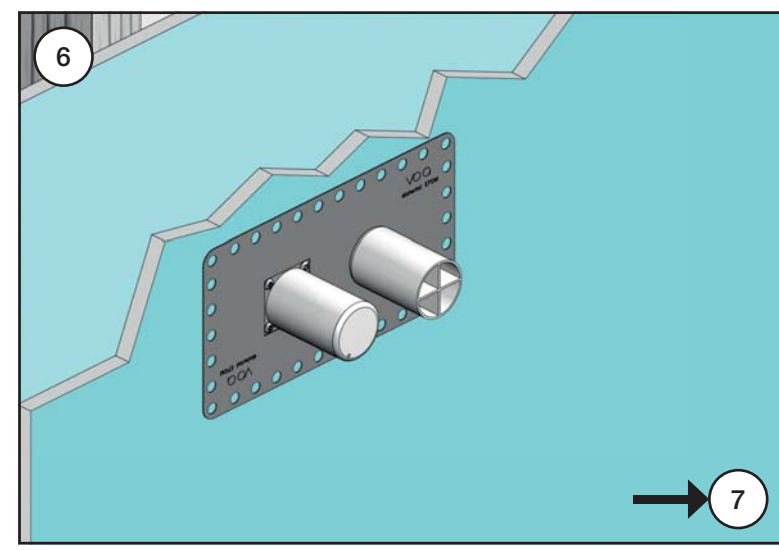
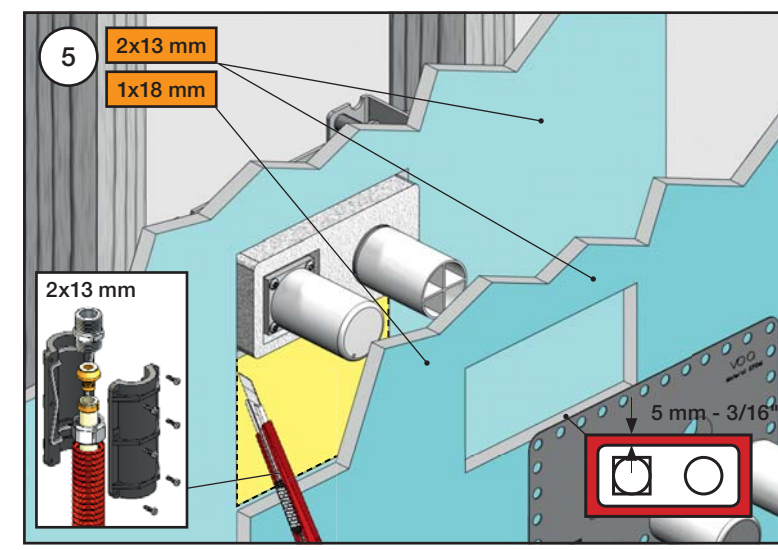
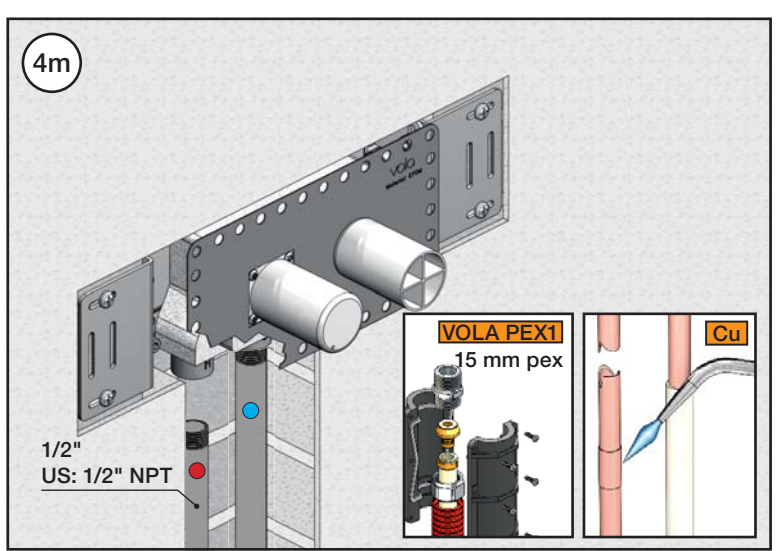
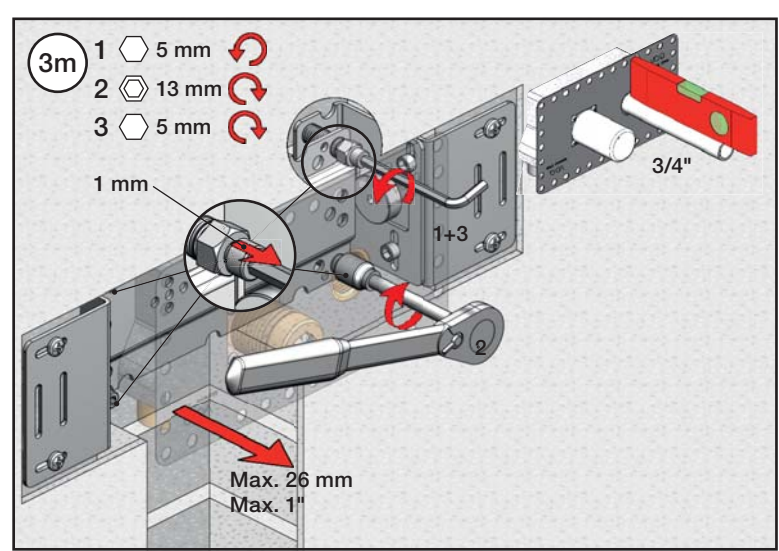
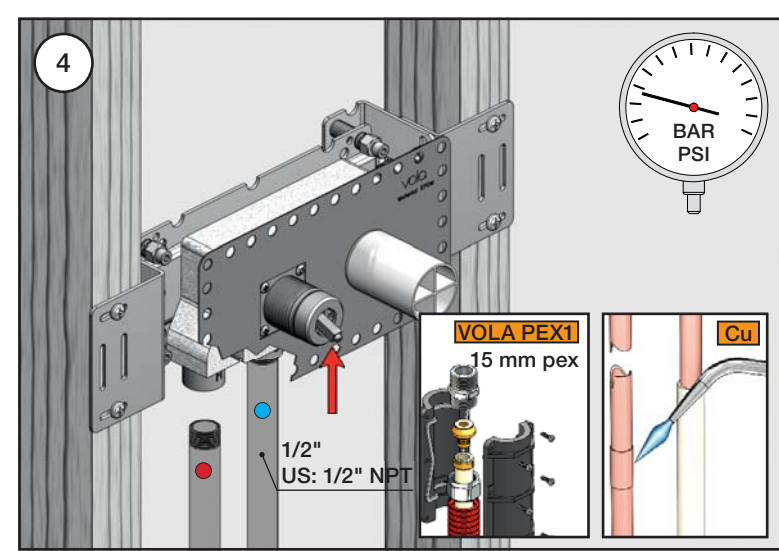
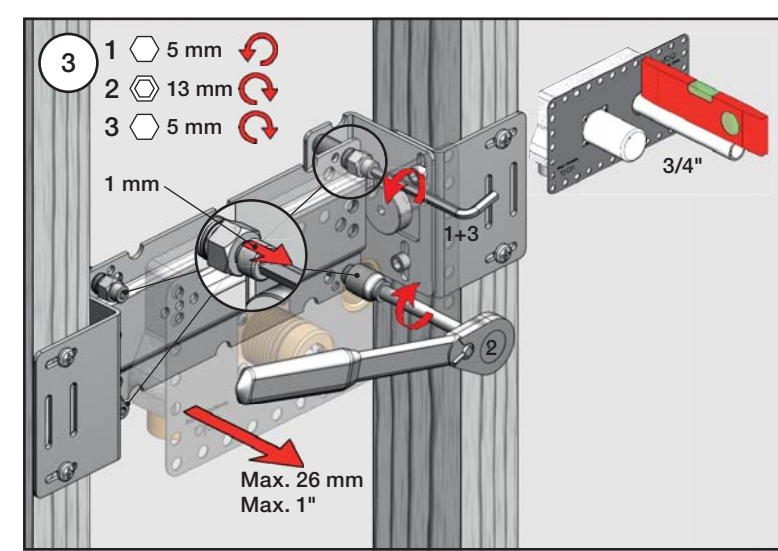
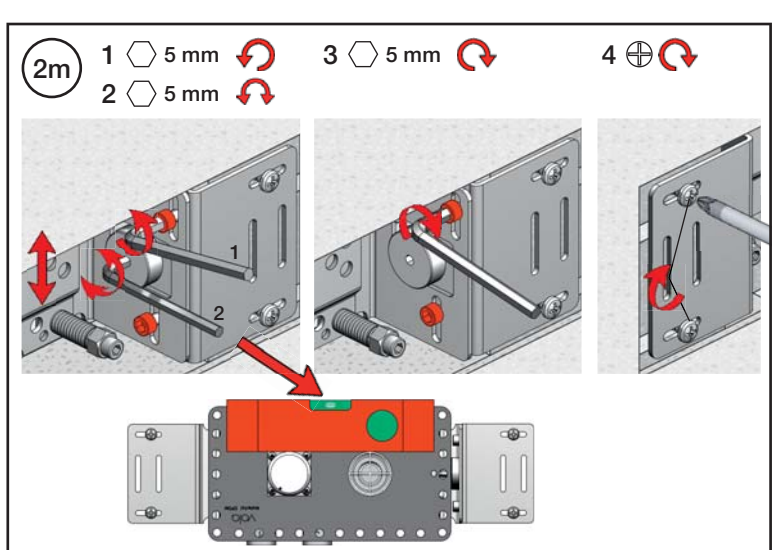
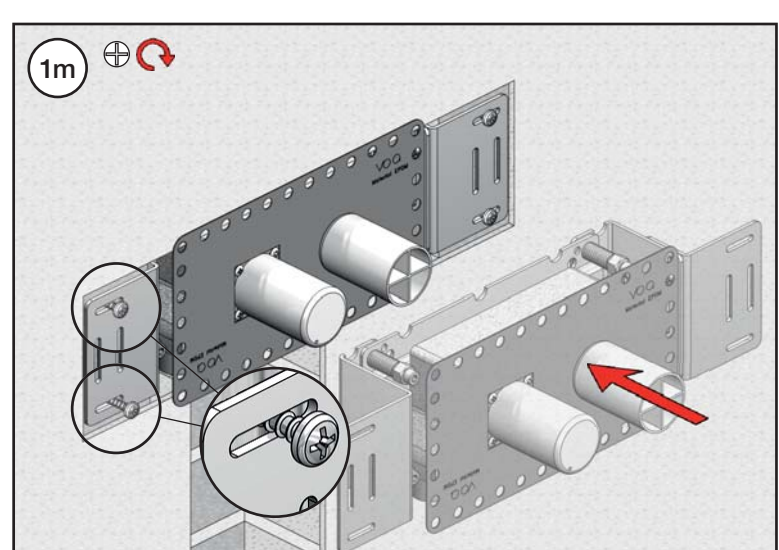
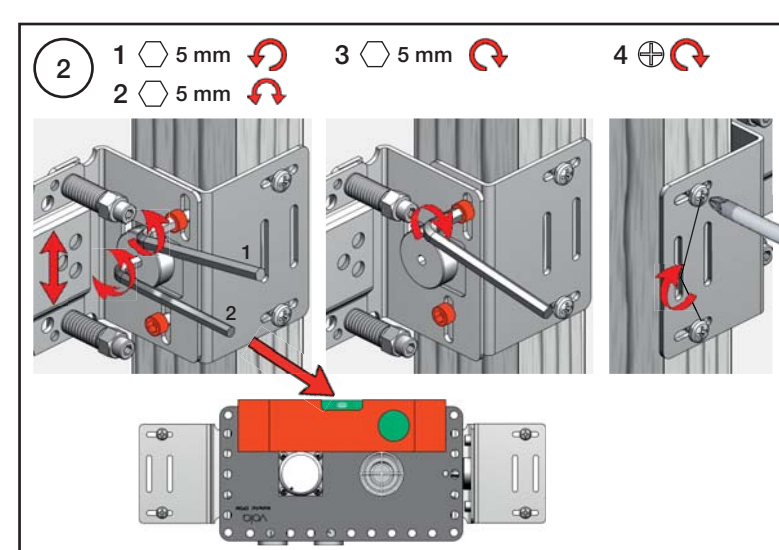
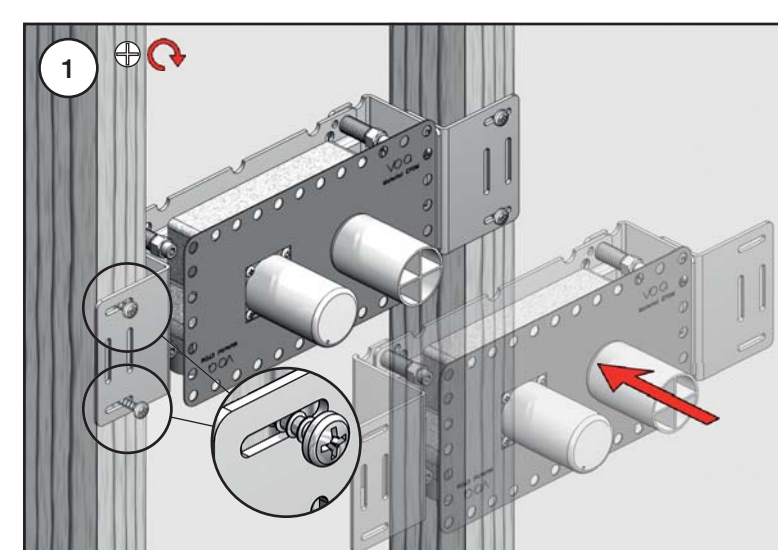
Montering af forlængerdele  
 Montering av förlängning

Montage van de verlengstukken  
 Montage des rallonges



100-2100\_V3 40999996







**VOLA 070**

 VA 1.42/18318

VOLA A/S • Lunavej 2 • DK-8700 Horsens • Tel. +45 70 23 55 00  
Fax +45 70 23 55 11 • [sales@vola.dk](mailto:sales@vola.dk) • [www.vola.com](http://www.vola.com)



# VOLA 070

