

dedece
 263 Liverpool Street
 Darlinghurst
 NSW 2010 Sydney
 Tel: 2 9360 2722
 Fax: 2 9356 4042
 dedece@dedece.com
 www.dedece.com

BELGIE
 Vola bvba
 Valkenburgerstraat 23
 1011 MG Amsterdam
 Tel: 03 440 46 19
 Fax: 03 448 22 04
 sales@vola.be
 www.vola.be

CANADA
 Ginger's Bath
 95 Ronald Ave.
 Toronto, Ontario
 M6B 4L9
 Tel: 416-787-1787
 Fax: 416-787-1748
 gingers@gingersbath.com
 www.elte.com

DANMARK
 Vola A/S
 Lunavej 2
 8700 Horsens
 Tel: + 45 70 23 55 00
 Fax: + 45 70 23 55 11
 sales@vola.dk
 www.vola.dk

DEUTSCHLAND
 Vola GmbH
 Schwantaler Straße 75A
 80336 München
 Tel: 089/599959-0
 Fax: 089/599959-90
 vola@vola.de
 www.vola.de

ESPAÑA
 ARTQUITECT
 C/ Dolors Granés, 79
 08440 Cardedeu
 Barcelona
 Tel: 93 844 40 70
 Fax: 93 844 40 71
 artquitect@artquitect.net
 www.artquitect.net

ESTONIA
 Hals Interiors OÜ
 Kadaka tee 42H
 12915 Tallinn
 Tel: 71 514 10
 Fax: 71 514 11
 hals@hals.ee
 www.hals.ee

FRANCE
 sophia industries
 44, rue Blanche
 75009 Paris
 Tel: 01 42 81 25 65
 Fax: 01 40 16 45 18
 sophia@sopha.fr
 www.sopha.fr

Vola UK Ltd.
 Unit 12, Ampthill Business Park
 Station Road, Ampthill
 Bedfordshire MK45 2QW
 Tel: 01525 84 11 55
 Fax: 01525 84 11 77
 sales@vola.co.uk
 www.vola.co.uk

HELLAS
 modis bagno s.a.
 50 Anapafseos Street
 Vrilissia 15 235, Athens
 Tel: 210 8036700
 Fax: 210 8049408
 210 8046987
 www.modisbagno.gr

HONG KONG
 portfolio group limited
 G/F, 59 Elgin Street,
 Central, Hong Kong
 Tel: 28680765
 Fax: 25247887
 sales@pgltd.com.hk

ISLAND
 Tengli eht.
 Smidivegur 76
 200 Kópavogur
 Tel: 414-1000
 Fax: 414-1001
 www.tengli.is

ITALIA
 RAPSEL Spa
 Via Volta, 13
 20019 Settimo Milanese (MI)
 Tel: 02 33 55 981
 Fax: 02 33501306
 rapsel@rapsel.it
 www.rapsel.it

KOREA
 E.L. System Co. Ltd.
 2F, Inwha B/D,
 97-17 Nonhyun-dong
 Kangnam-gu
 Seoul
 Tel: (02) 598-4517
 Fax: (02) 521-3786

KYPRIAKI DIMOKRATIA
 S.C. Nicolaides Ltd.
 3, Gregoriou Karekla str.
 Strovolos
 P.O. Box 21703
 1512 Nicosia
 Tel: 22 813 200
 Fax: 22 424 803
 info@ioka.com.cy

LATVIA
 Hals Trading Ltd.
 Antenas str. 3
 1004, Riga
 Tel: 7629561
 Fax: 7627190
 info@hals trading.lv
 www.hals.ee

LEBANON
 Geachan Group
 Sin El Fil
 Geachan Building
 Hayek Round About
 Beirut
 Tel: 01 480 520
 Fax: 01 496 607
 info@geachangroup.com
 www.geachangroup.com

Productos de Latón
 de Alta Calidad S.A. de C.V.
 México, D.F.
 Tel: 01 800 2253946
 Fax: 01 525 26 14 9312
 placadecv@hotmail.com
 www.gizbi.biz/vola/vola.html

NETHERLAND
 Vola Sanitair BV
 Valkenburgerstraat 23
 1011 MG Amsterdam
 Tel: 020 36 36 356
 Fax: 020 36 36 482
 info.nl@vola.com
 www.vola.com

NIPPON
 Cera Trading Co., Ltd
 Juko BLDG.6F,
 1-26-1 Minami-Aoyama,
 Minato-ku,
 Tokyo 107-0062
 Tel: 03-3796-6151
 Fax: 03-3402-7185
 cerajimbi.toto.co.jp
 www.cera.co.jp

Fuji Design Corporation
 3-15-14 Higashi-Ikebukuro
 Toshima-Ku
 Tokyo 170-0013
 Tel: 03-3983-2251
 Fax: 03-3988-8320
 inf@fuji.com
 www.fujid.com

NORGE
 shelby teknikk as
 Strandgaten 55
 4370 Eggersund
 Tel: 51 46 18 00
 Fax: 51 46 18 01
 post@shelby.no
 www.shelby.no

ÖSTERREICH
 Vola Vertriebs GmbH
 Kandlgasse 19
 1070 Wien
 Tel: 01 526 39 71-0
 Fax: 01 526 39 71-20
 info@vola.at
 www.vola.at

RUSSIA
 Tendenzia
 UL Solyanka 1/2-1
 109028 Moscow
 Tel: 624-13-12 / 624-24-49
 Fax: 624-10-50
 www.tendenzia.ru
 info@tendenzia.ru

PORTUGAL
 CARVALHO, BATISTA & Ca. Sa.
 Rua do Almada
 29-79-89 - Apartado 4784
 4013-001 Porto
 Tel: 22 339 21 26 / 7 / 9
 Fax: 22 005 96 11
 carvalhobatista@mail.telepac.pt
 www.carvalhobatista.pt

Vola AG
 Müllstr. 18
 8320 Fehrltorf
 Tel: 044/955 18 18
 Fax: 044/955 18 19
 sales@vola.ch
 www.vola.ch

SINGAPORE
 Wan Tai & Co. (Pte.) Ltd.
 25 Changi South Avenue 2
 SINGAPORE 486630
 Tel: 6546 5900
 Fax: 6546 6388
 info@wantai.com
 www.bathroomgallery.com.sg

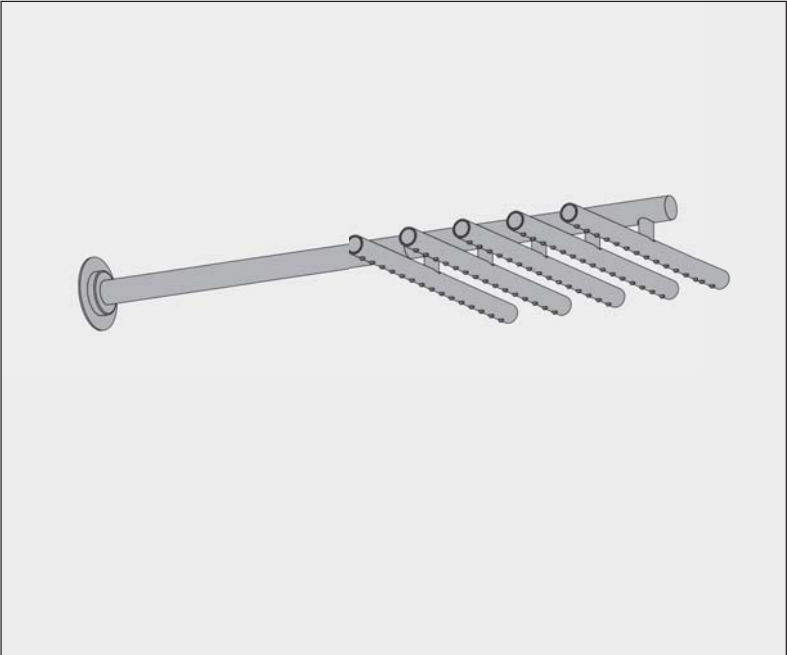
SLOVENIJA
 MODERNA d.o.o.
 Ivanocijevo nas, 5
 9000 Murska Sobota
 Tel/Fax: 00386 2 532 1967
 Peričeva 31
 1000 Ljubljana
 Tel: 00386 1 236 21 83
 Fax: 00386 1 236 21 84
 moderna@siol.net

SUOMI
 INNO-TUOTE OY
 TÄHDENLÄNTTIE 9
 02240 ESPOO
 Tel: 09 8870 380
 Fax: 09 8870 3833
 info@innointerior.fi
 www.inno.fi

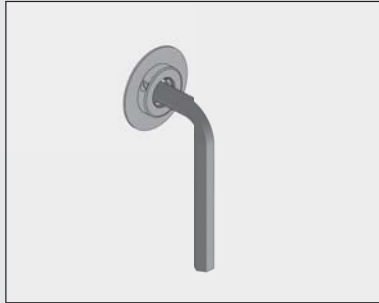
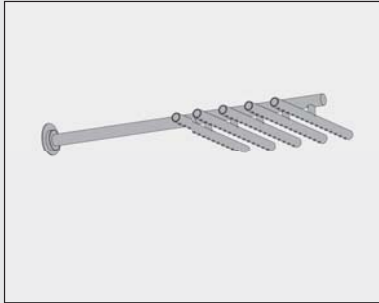
SOUTH AFRICA
 Still the bathroom gallery
 Unit 111A, The Foundry
 74 Prestwich St.
 Green Point Cape Town
 South Africa 8001
 Tel: 021 421 9970/2
 Fax: 021 421 9971
 info@stillbathrooms.co.za
 www.stillbathrooms.co.za

SVERIGE
 Vola ab
 Ruddammsgatan 14, 2
 S-803 20 Gävle
 Tel: 026-140230
 Fax: 026-140231
 sales@vola.se
 www.vola.se

UNITED STATES
 Hastings Tile and Bath Collection
 30 Commercial Street
 Freeport, NY 11520
 Tel: 516-379-3500 / 800-351-0038
 Fax: 516-223-8495
 vola@hastings30.com
 www.hastings30.com



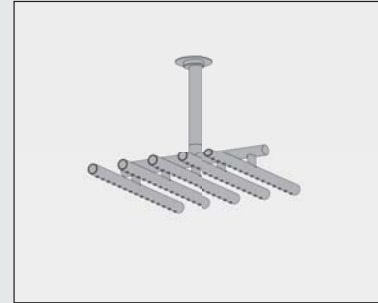
Monteringsvejledning 050 / 050A
 Mounting instruction Vola 050 / 050A
 Montageanleitung Vola 050 / 050A



Vola 050

Wall-mounted version
Wandmontierte Version
Vægmonteret udgave

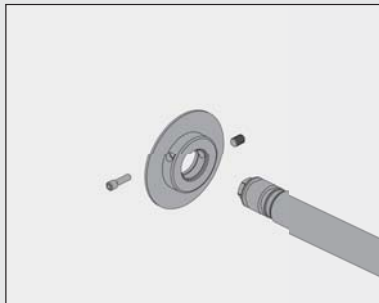
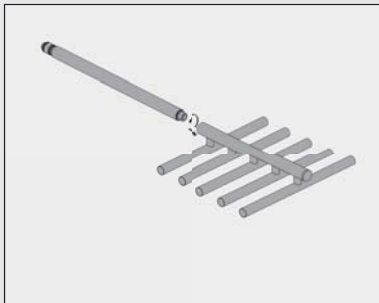
Mount collar.
Muffe montere.
Kobling monteres.



Vola 050A

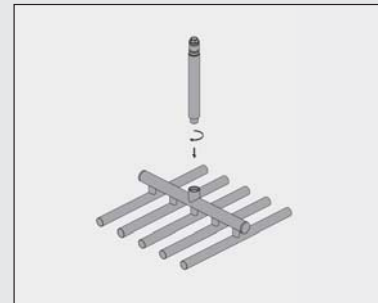
Ceiling-mounted version
Deckenmontierte Version
Loftmonteret udgave

Mount collar.
Muffe montere.
Kobling monteres.



Mount inlet pipe.
Zulaufrohr montere.
Monter indløbsrør.

Mount safety screw and set screw.
Sicherungsschraube und
Inbusschraube montere.
Monter sikkerhedsskrue og
pinolskrue.



Mount inlet pipe.
Zulaufrohr montere.
Monter indløbsrør.

Mount safety screw and set screw.
Sicherungsschraube und
Inbusschraube montere.
Monter sikkerhedsskrue og
pinolskrue.